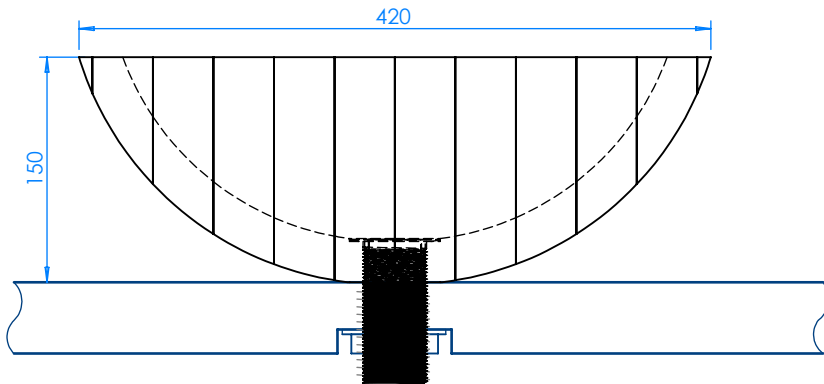




DIMENSIONS		
Diameter	420 mm	16.5"
Height	150 mm	6"
wall thickness(approx)	34 mm	1.1"
crated weight	6 kg	13 lbs
crated size	60x50x28 cm	24x20x11"

HELIO BASINS CAN BE MADE TO INDIVIDUAL SIZES.....
PLEASE CONTACT US TO DISCUSS YOUR REQUIREMENTS



NOTE: IF THE COUNTER TOP IS MORE THAN 35mm (1 1/4") THICK, IT SHOULD BE COUNTERBORED TO RECEIVE THE BRASS LOCK NUT AND LEAVE SUFFICIENT THREAD FOR THE WASTE FITTING

CONSTRUCTION

The Helio Basin is turned from solid teak and is designed to stand on a suitable worktop, held in position by the waste fitting and a brass lock nut.

PLUMBING CONNECTIONS

Helio Basins are fitted with a standard 1 1/4" chrome Presflo (chainless) waste compatible with standard basin traps.

CARE & MAINTENANCE

All Helio Basins are finished with a specially formulated marine polish. It has exceptional adhesion to the timber, forming a tough layer which will not absorb stains and which is easy to clean using ordinary non-abrasive bathroom and kitchen cleaners. Products containing bleach should be avoided as they may lighten the timber unevenly. However, limescale removers can be used without the risk of damage.