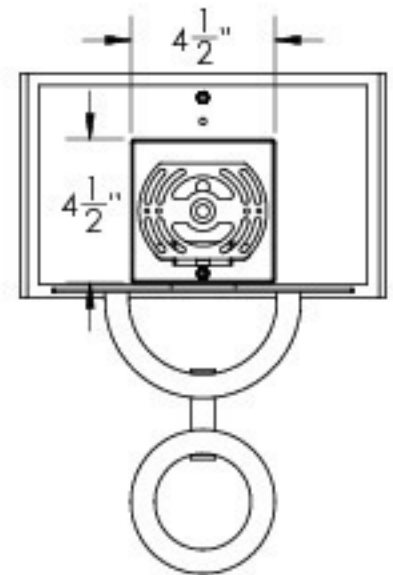
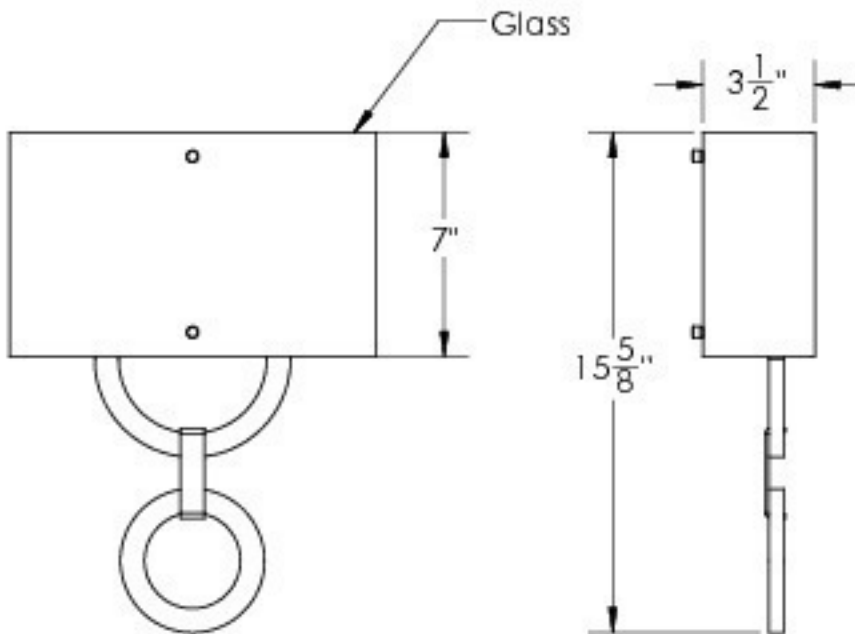
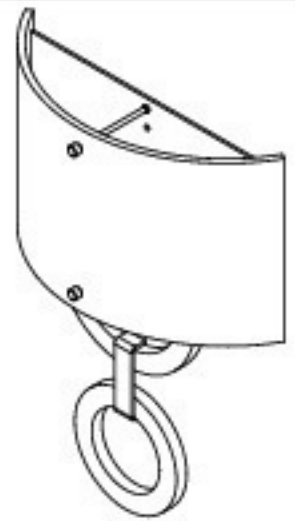
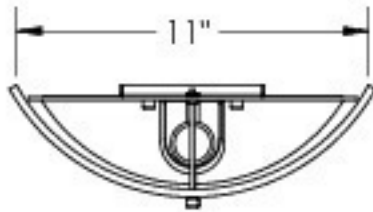


# SPECIFICATION DRAWING

Product #: CSB0033-0D-XX-XX-XX



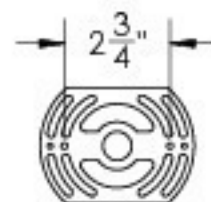
Electrical Option	Electrical Type	Bulb Type	Wattage	Socket Type
Product #				
CSB0033-0D-XX-XX-E2	Incandescent	A19	60	Medium E26
CSB0033-0D-XX-XX-G2	Flourescent	CFL/LED RETRO	13	GU-24

*Bulbs Not Included*

4/8/2015

Mounting Packet: U	Electrical Type: See Table
Approximate lbs.: 10	Bulb Qty: 1    Bulb Type: See Table
Finish: SEE WEB SITE FOR OPTIONS	Wattage: See Table    Voltage: 120
Top Diffuser: Open	Socket Type: See Table
Bottom Diffuser: Closed Metal	UL Location: Dry

**Mounting Detail**



MOUNTS DIRECTLY TO J-BOX