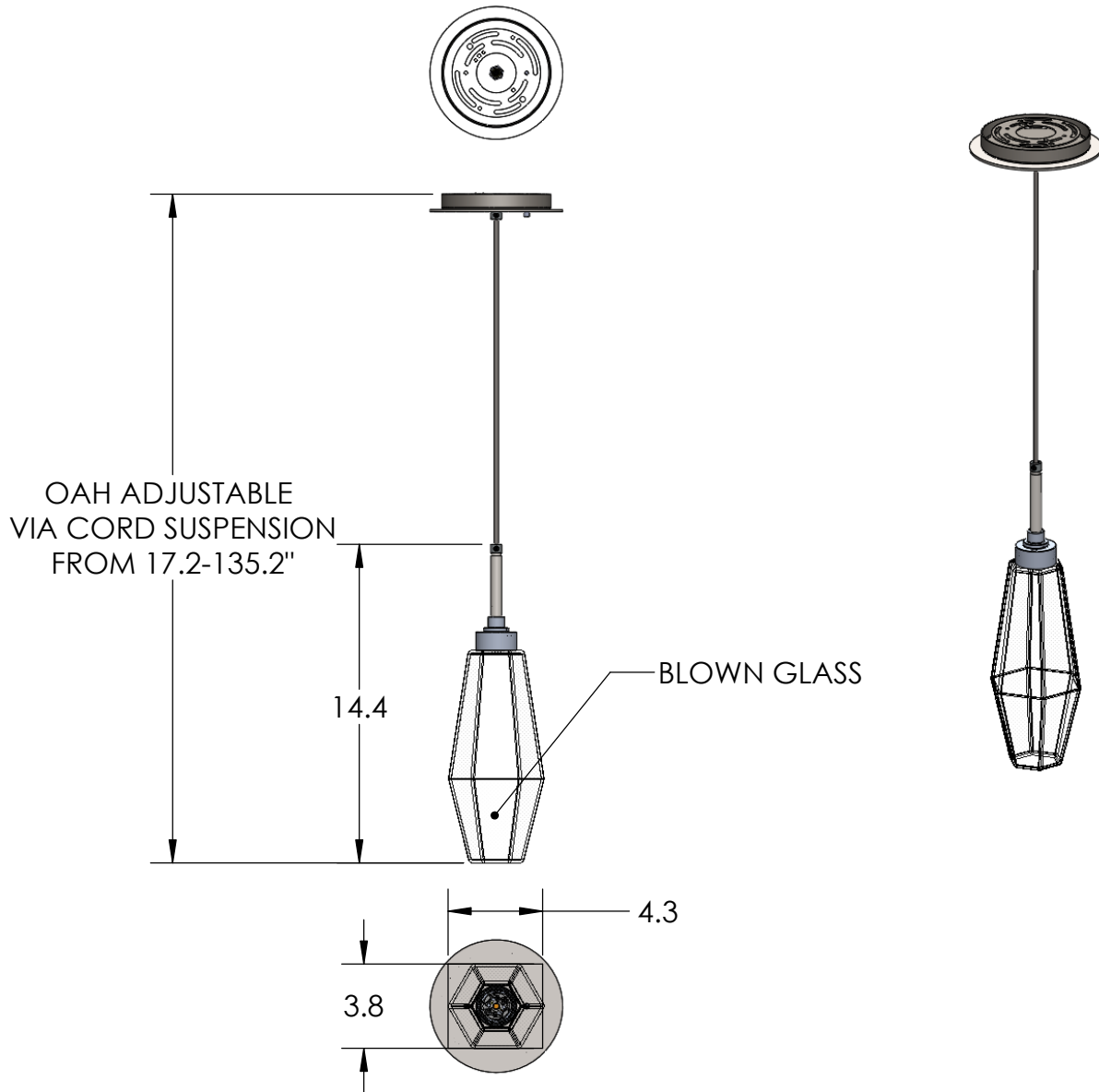


Collection: Aalto

Product #: LAB0049-15



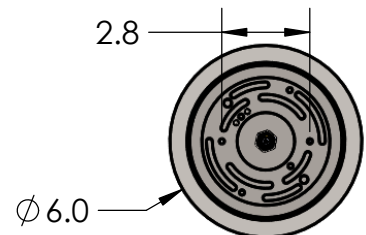
****NOTE****
 DRIVER TO BE INSTALLED IN JUNCTION BOX.
 MINIMUM SIZE J-BOX REQUIRED IS
 4" L X 4" W X 1.5" D

Visit hammertonstudio.com for product options and specifications.

10/25/2017 (A)

| | | | |
|----------------------------------|--|----------------------|--------------|
| Mounting Packet: Y | Weight(lbs.): 4 | Electrical Type: LED | CCT: 2700 K |
| UL Location: DRY | Elec. Qty: 1 | Wattage: 5.2 | Voltage: 120 |
| Finish: SEE WEB SITE FOR OPTIONS | Source Lumens: Up: 340 | Down: N/A | |
| Top Diffuser: CLOSED | Dimmable: Forward/Reverse Phase or 0-10V To 1% | | |
| Bottom Diffuser: CLOSED GLASS | CRI: 93+ | Power Factor: >0.9 | |

Mounting Detail



MOUNTS DIRECTLY TO J-BOX

All fixtures created by Hammerton are handcrafted by artisans. Dimensions may vary up to 7/8".
 © Copyright 2017. All rights in design, detail or invention of this drawing are reserved as the property of Hammerton. Any imitation or adaptation without written consent is strictly prohibited.

Hammerton Inc. 217 Wright Brothers Dr. Salt Lake City, UT 84116 (801)973-8095