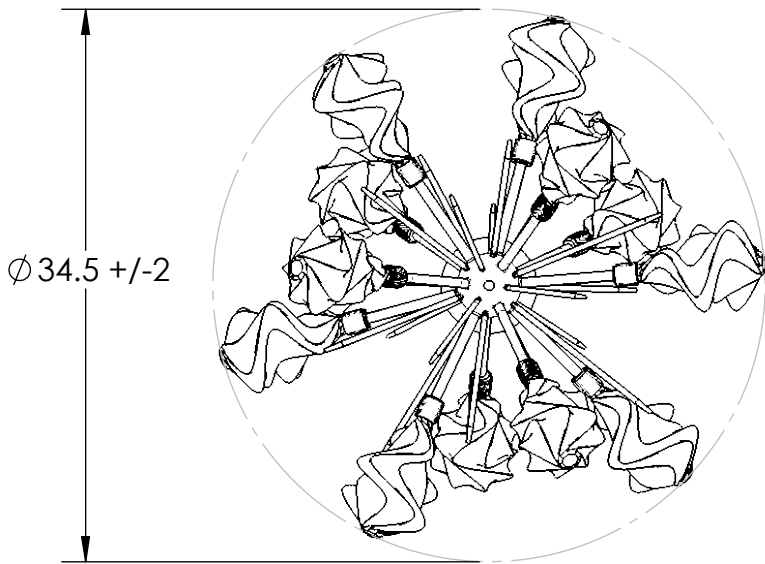
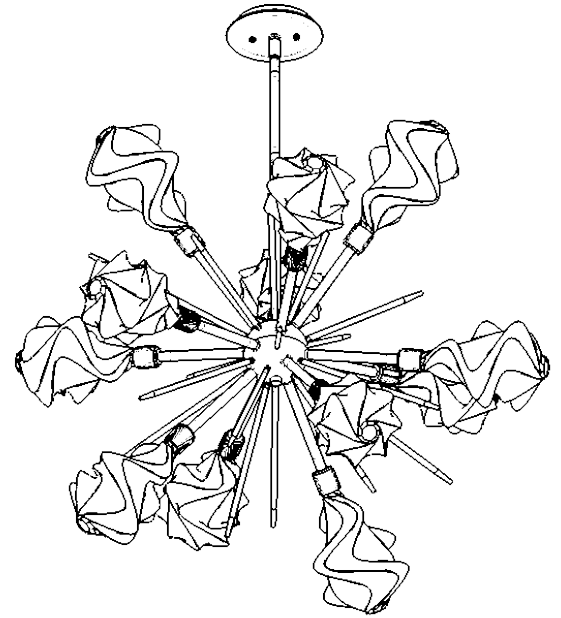
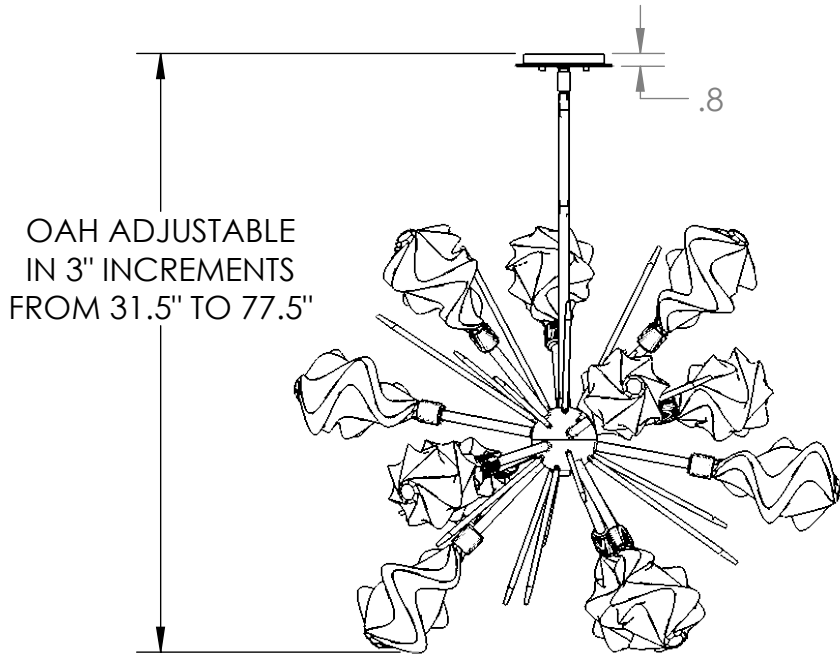


Collection: BLOSSOM

Product #: CHB0059-0A

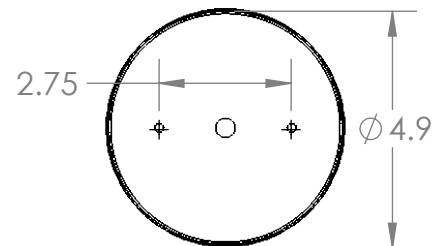


Visit [hammertonestudio.com](http://hammertonestudio.com) for product options and specifications.

12/12/2018 (A)

Mounting Packet: T	Weight(lbs.): 46	Electrical Type: LED	CCT: 2700 K
UL Location: DRY		Elec. Qty: 12	Wattage: 16
Finish: SEE WEB SITE FOR OPTIONS		Source Lumens: Up: 783	Down: 783
Top Diffuser: CLOSED GLASS		Dimmable: Forward/Reverse Phase To 1%	
Bottom Diffuser: CLOSED GLASS		CRI: 93+	Power Factor: >0.9

**Mounting Detail**



MOUNTS DIRECTLY TO J-BOX

All fixtures created by Hammerton are handcrafted by artisans. Dimensions may vary up to 7/8".  
 © Copyright 2018. All rights in design, detail or invention of this drawing are reserved as the property of Hammerton. Any imitation or adaptation without written consent is strictly prohibited.