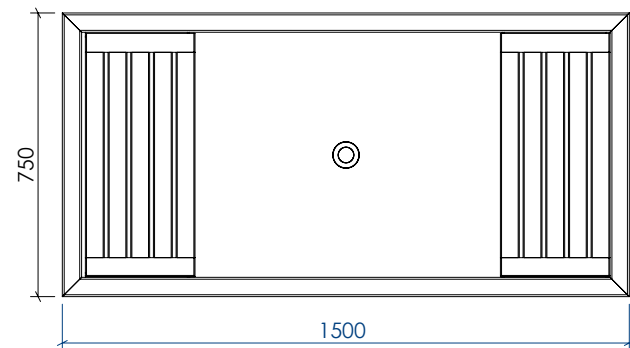
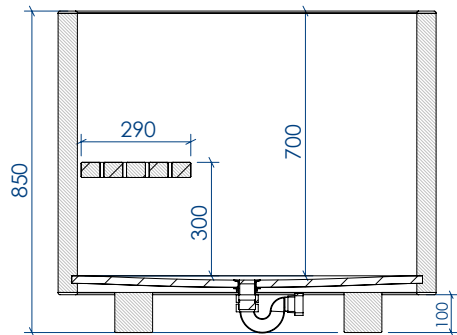


GEO DEEP SINGLE



GEO DEEP DOUBLE



SECTION A-A

## CONSTRUCTION

The Geo Bath is constructed from a laminated teak composite. The single version has one removable seat. The double version has two. The bath is designed to stand on two solid teak bearers which elevate the bath by 100mm (4"). A solid teak stool is also available.

The bath has a shaped base to improve drainage, but it should be leveled as accurately as possible. The bearers have adjustable feet to make leveling easier.

Large, non-standard baths require additional base supports which are supplied.

## PLUMBING CONNECTIONS

Geo Baths are fitted with a standard 1 1/2" chrome Presflo (chainless) waste compatible with standard shallow bath traps. A standard plastic shallow 'P' trap is supplied fitted for 1 1/2" waste plumbing. The waste is fitted in the center of the bath.

Overflows are not fitted as standard. If you require an overflow, the bath can be customized to conceal overflow plumbing.

Generally, taps are either wall or floor mounted, but baths can be customized to enable taps to be integrated.

## HOT WATER SUPPLY

With greater cubic capacity, our baths use more hot water than conventional baths. A combi or geyser type boiler will provide a continuous flow of hot water whereas the capacity of a conventional system is limited by the size of the storage tank. Typically a combi type boiler is able to deliver 15.1 liters (4 US gallons) per minute at 35 degrees centigrade.

## CARE & MAINTENANCE

All Geo Baths are polished with Timbertect, a resin based sealant which sinks into the timber and fuses with it, forming an exceptionally tough layer which will not absorb stains and which is easy to clean using ordinary non-abrasive bathroom and kitchen cleaners. Abrasive cleaners and products containing bleach should be avoided as they may lighten the timber unevenly. However, limescale removers can be used without the risk of damage.

*GEO BATHS CAN BE MADE TO INDIVIDUAL SIZES.....  
PLEASE CONTACT US TO DISCUSS YOUR REQUIREMENTS*

DIMENSIONS	GEO DEEP SINGLE		GEO DEEP DOUBLE	
	length	1000mm	39.5"	1500mm
width	700mm	27.5"	750mm	29.5"
height (excl. bearers)	750mm	29.5"	750mm	29.5"
internal length	900mm	35.5"	1400mm	55"
internal width	600mm	23.5"	650mm	25.5"
internal depth	700mm	27.5"	700mm	27.5"
wall thickness	50mm	2"	50mm	2"
stool	L500 x W250 x H300		20 x 10 x 12"	
weight (empty)	100 kg	220 lbs	133 kg	293 lbs
weight filled	478 kg	1051 lbs	770 kg	1694 lbs
cubic capacity	378 litres	83 gall	637 litres	140 gall
capacity 400mm deep	216 litres	48 gall	364 litres	80 gall
crated size	123x93x90cm	48x37x36"	173x98x90cm	68x39x36"