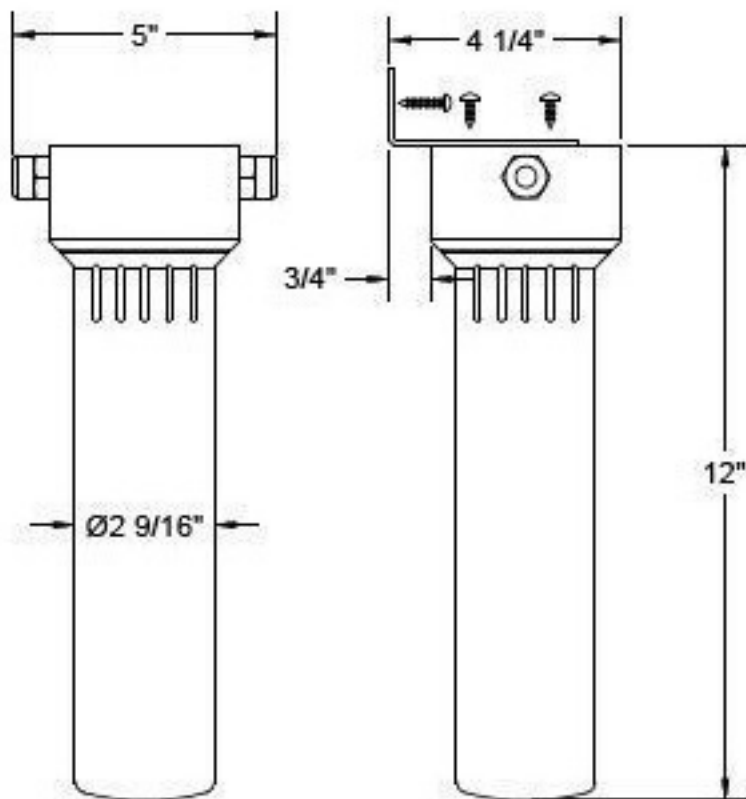


# MT660

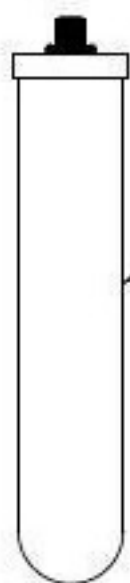
## MOUNTAIN PURE CERAMIC FILTRATION SYSTEM

### SPECIFICATION SHEET



#### ***THIS FILTER OFFERS THE FOLLOWING FEATURES:***

- REMOVES 99.9% OF PARTICLES OVER .5 MICRONS
- ANTI-MICROBIAL AGENT INCORPORATED TO REDUCE BACTERIA
- 1000 GALLON CAPACITY (APPROXIMATELY 9 MONTHS BASED ON AVERAGE USAGE)
- OPERATES WITHOUT WASTING WATER LIKE R.O. FILTERS
- CLEANABLE FILTER CARTRIDGE
- 6 FEET OF  $\frac{3}{8}$ " HDPE TUBING INCLUDED
- INSTALLATION FITTINGS FOR POINT OF USE FAUCETS INCLUDED
- MAX WORKING PRESSURE: 100psig (689 kPa)
- MAX WORKING TEMPERATURE: 86°F ( 30°C)
- MIN WORKING PRESSURE: 10psig (69kPa)
- MIN WORKING TEMPERATURE: 41°F (5°C)



(MINIMUM 11" SPACE REQUIRED BELOW FILTER FOR CARTRIDGE REPLACEMENT)

MT661/RFC

#### ***IMPURITIES REMOVED:***

PREVENTS SCALE	ASBESTOS FIBERS
CHLORINE	OXIDIZED IRON
BAD TASTE/ODORS	99.9% OF PARTICLES >.5 MICRONS
CHLORAMINES	LEAD
DIRT AND DUST	TRIHALOMETHANES
GIARDIA LAMBIA CYSTS	VOLATILE ORGANIC CHEMICALS
CRYPTOSPORIDIUM CYSTS	TURBIDITY
MOLDS AND ALGAE	PATHOGENIC BACTERIA