





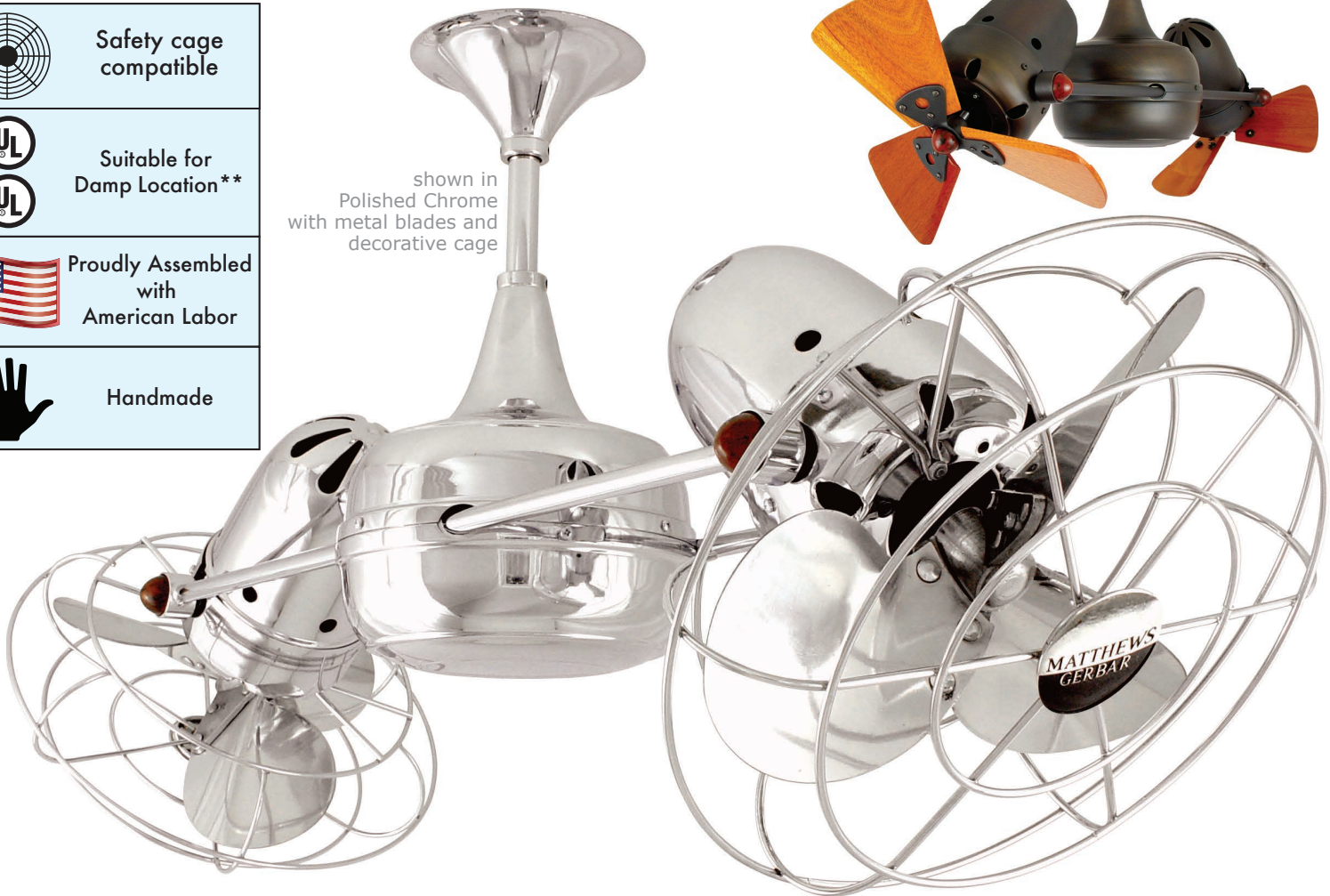
Duplo-Dinamico

Designed in 1963

shown in Bronze with wood blades

	Safety cage compatible
	Suitable for Damp Location**
	Proudly Assembled with American Labor
	Handmade

shown in Polished Chrome with metal blades and decorative cage



Few designs can match the timeless and sophisticated aesthetic of the Duplo-Dinamico rotational fan. Other manufacturers have tried to reproduce this unique design, though all have proven to be of lesser quality and durability. The fan heads can be infinitely positioned in 180-degree arcs for optimum air movement; the greater the angles of the motors to the horizontal support rods (up or down), the faster the axial rotation. A slow, controlled axial rotation is achieved by both fan head position and fan blade speed.

- Matthews rotational fans circulate heat and air conditioning more efficiently than traditional paddle fans.
- Constructed of cast aluminum, heavy spun and stamped steel, the Duplo carries a limited lifetime warranty.
- Each unique motor mount and fan head knob is made of genuine marbled Bakelite.
- The Duplo is available with the following blade options:
 - metal fan heads with decorative metal blade guards
 - solid, ecologically harvested Brazilian mahogany fan heads without blade guards
 - metal fan heads with metal safety cages for use in low ceiling applications (7 ft in US / 8.2 ft in Canada)

Standard Finishes

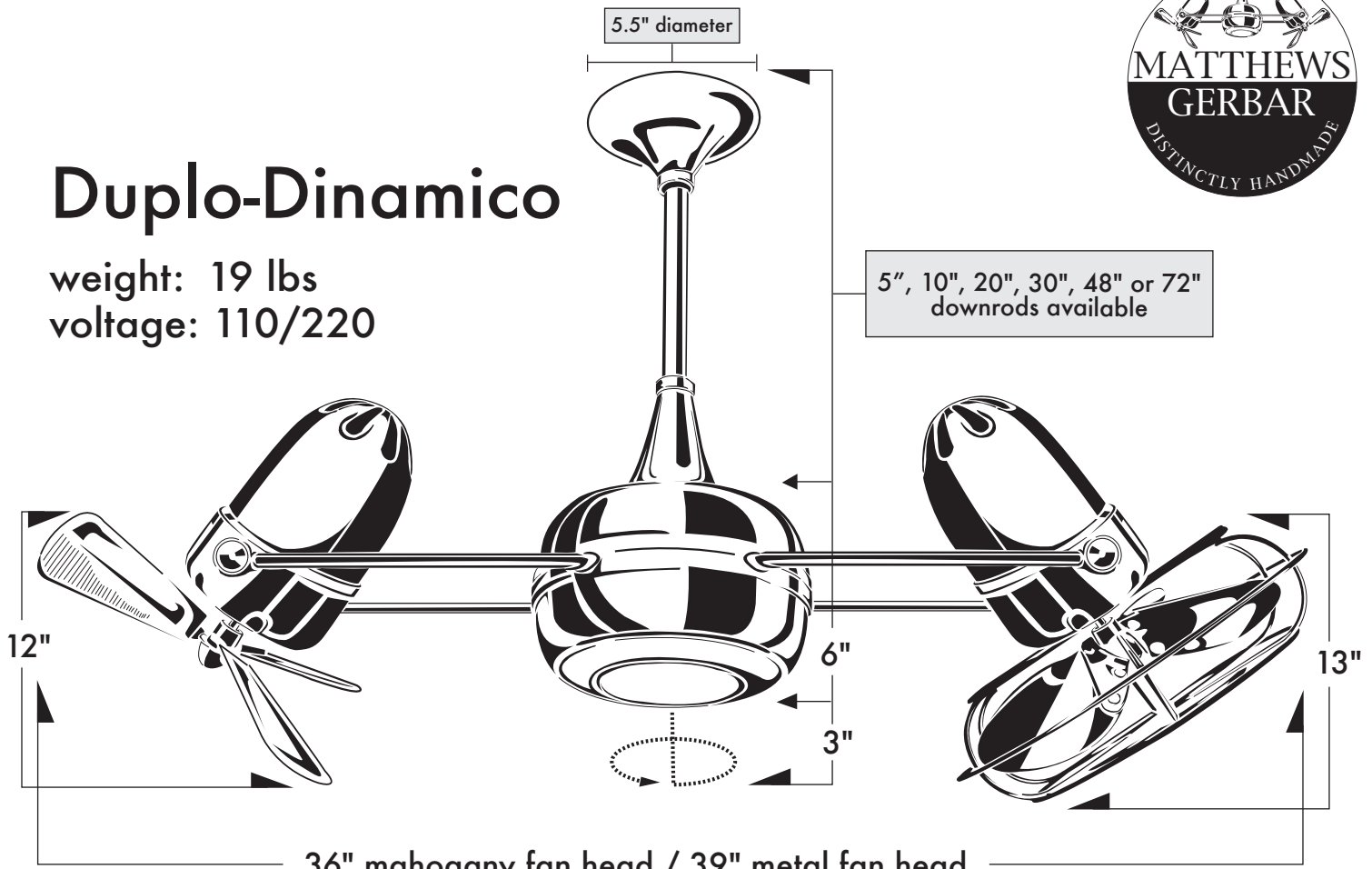
Matte Black	Bronze (Plate)	Bronzette (Powdercoat)	Brushed Brass	Black Nickel	Agua Marinha	Safira	Ametista	Ouro
Brushed Nickel	Polished Chrome	Polished Copper	Brushed Copper	Polished Brass	Jade	Esmeralda	Citrino	Rubi
Brushed Nickel Damp	Polished Chrome Damp				Gloss White			

Special Order Finishes



Duplo-Dinamico

weight: 19 lbs
voltage: 110/220



36" mahogany fan head / 39" metal fan head

Increasing Angles of Fan Heads to Support Poles Increases Speed of Axial Rotation
Optimum Fan Head Position is 60°

CFM: 3217
(Wood Fan Head)
Blade Pitch 19°

CFM: 3201
(Metal Fan Head)
Blade Pitch 31°

Standard Equipment:

- Lutron decora-style SFS-5E fully variable wall switch in white
- 10" downrod. 5", 20", 30", 48" or 72" downrods available. Downrods can be easily field cut; they are not threaded.
- Flat ceiling canopy. Compatible with 29° vaulted ceiling canopy accessory.

Metal fan heads with protective powder or clear coatings are suitable for Damp Location.

Safety cages available for low ceiling applications.

**Damp location with powder or clear coat only. Not recommended for salt water/ocean front applications.



**Damp Location