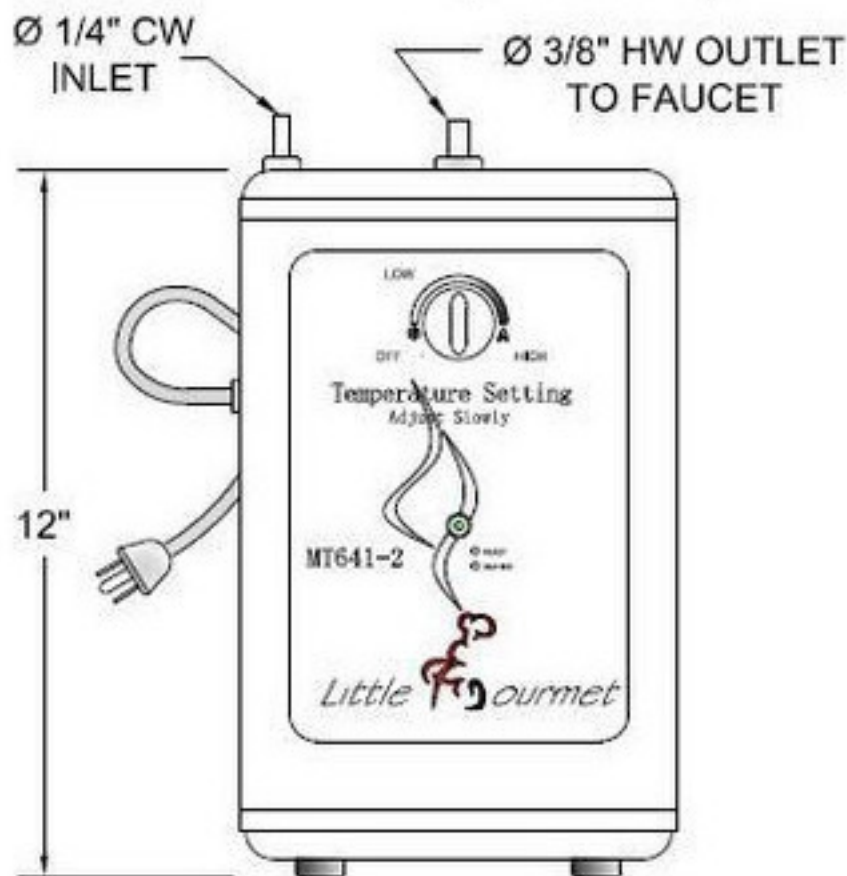
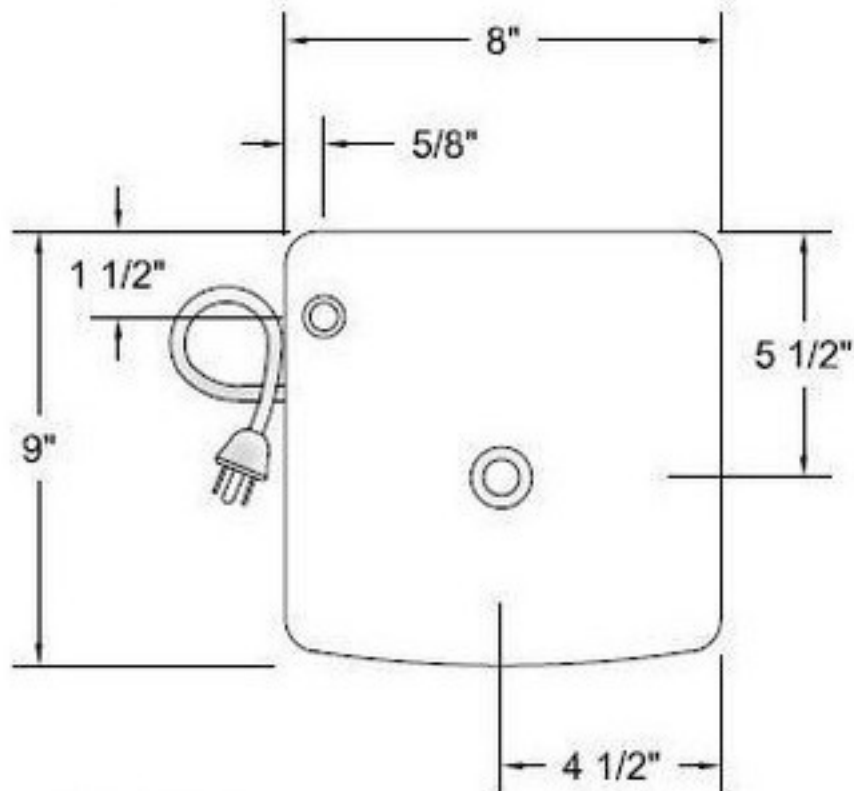


MT641-2 HEATING TANK

SPECIFICATION SHEET



THIS HEATING TANK OFFERS THE FOLLOWING FEATURES:
5/8 GALLON STAINLESS STEEL TANK
ALL STAINLESS STEEL TUBES
STAINLESS STEEL CASE
RO FILTER COMPATIBLE
HEATS 60 CUPS PER HOUR
3 YEAR WARRANTY TO ORIGINAL PURCHASER

ELECTRICAL SPECIFICATIONS
120 VAC, 60HZ, 1300 WATTS
MAX. TEMP 190°F +/-3°
\$4.75 ESTIMATED MONTHLY COST
BASED ON 12 8OZ CUPS PER DAY