

PARCHE BRIDGE FAUCET

Model # 7800



PRODUCT DESCRIPTION

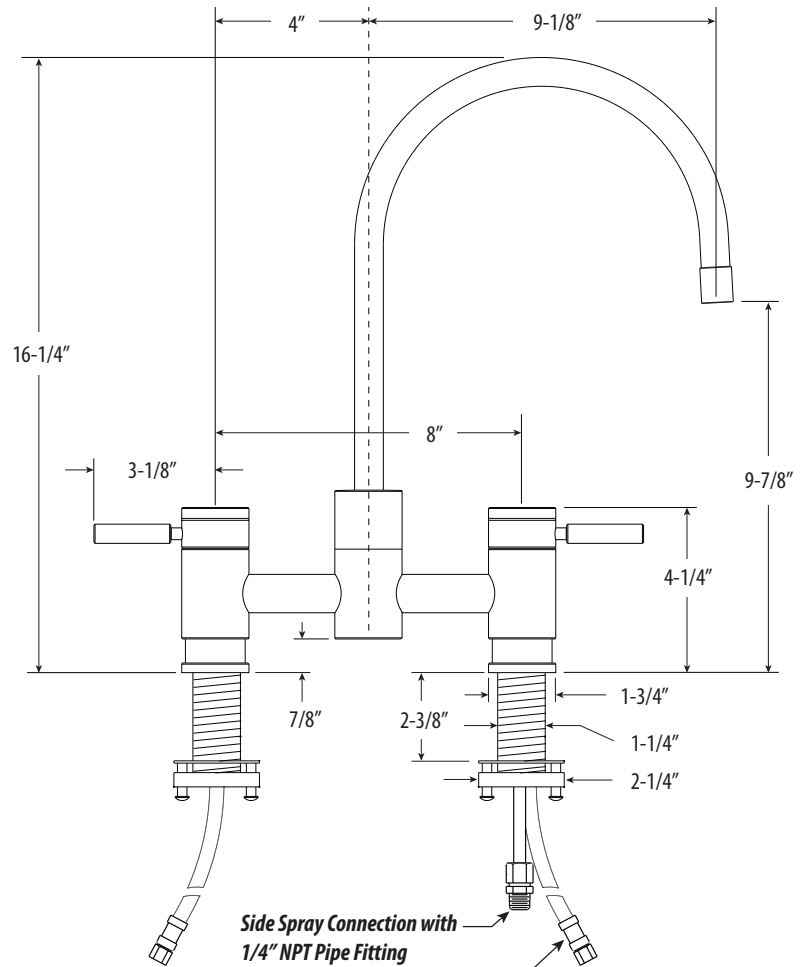
- Two-holed Bridge Faucet design.
- Part of the Parche Contemporary Suite.
- Classic C-spout with **9-1/8"** reach.
- 360 degree swivel spout.
- Equipped with diverter for optional side spray.
- Solid brass or stainless steel construction.
- Double lever handles.
- 1.75 gpm maximum flow rate.
- Aerated stream.
- Compatible with Reverse Osmosis filtration systems.
- Reversible or removable Hot/Cold indicator rings.
- Reinforced braided connection hoses.
- Lifetime Functional Warranty.
- Made in the USA.

CODES/STANDARDS APPLICABLE

Specified model meets or exceeds the following:

- ASME A112.18.1
- CSA B125.1
- NSF 61, 372
- CALGreen
- ADA Compliant

- Max Counter Thickness **2-3/8"**
- Minimum Install Hole Size **1-3/8"**



Side Spray Connection with
1/4" NPT Pipe Fitting

Supply Hoses - 20" Long with
3/8" Compression Fittings



DIMENSIONS MAY VARY AND ARE SUBJECT TO CHANGE. NO RESPONSIBILITY IS ASSUMED FOR USE OF SUPERCEDED OR VOIDED DATA

AVAILABLE IN 29 FINISHES + SOLID STAINLESS STEEL

Antique Brass - AB
Antique Bronze - ABZ
Antique Copper - AC
American Bronze - AMB
Antique Pewter - AP
Gloss Black - GB
Black Nickel - BLN
Black-Oil Rubbed Bronze - ORB
Caribbean Bronze - CB
Chocolate Bronze - CHB

Chrome - CH
Distressed Antique Brass - DAB
Distressed Antique Copper - DAC
Distressed American Bronze - DAMB
Distressed Antique Pewter - DAP
Matte Black - MB
Polished Brass - PB
Polished Copper - PC
Polished Gold - PG
Polished Nickel - PN

Satin Chrome - SC
Satin Gold - SG
Satin Nickel - SN
Stainless Steel - SS*
Tuscan Brass - TB
Unlaquered Polished Brass - UPB
Venetian Bronze - VB
Weathered Brass - WB
Weathered Copper - WC