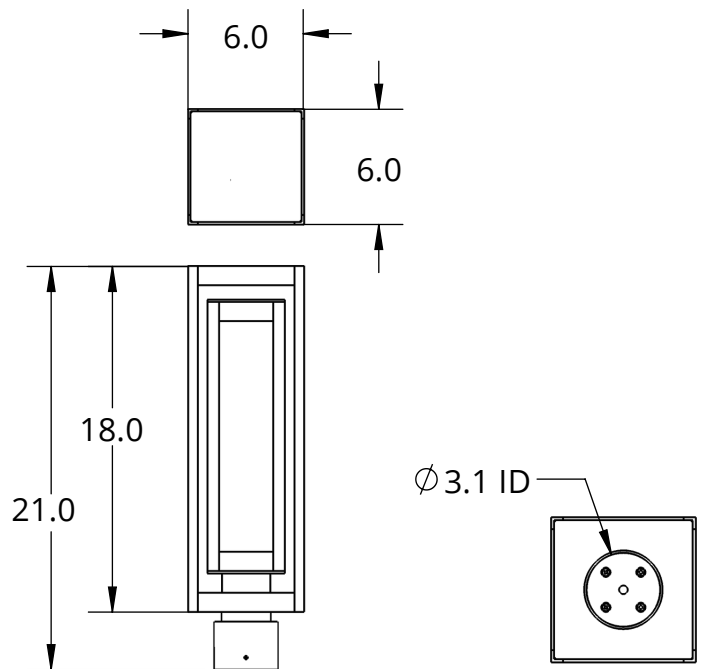


All dimensions are shown in inches unless otherwise stated.



Mounting Method: Mounts Directly To Post

PRODUCT DESCRIPTION

Our best-selling outdoor fixture style, this contemporary lantern sconce features a nested box design with an open outer frame and a frosted glass inner lens. AC LED lamping minimizes energy consumption and fixture maintenance.

The Double Box postmount is offered in three AAMA 2604-rated finishes that withstand UV and corrosion resistance in coastal and other harsh climates, and it includes a lifetime warranty to the original purchaser.

PRODUCT SPECIFICATION

Construction: Aluminum Body With Glass Panels

Finish Options: **AG** **SB** **TB**

Glass Types: Frosted Seeded

Suspension Method: Post Mount

Weight (lbs.): 8

UL Rating: Outdoor/Wet

Top Diffuser: Closed Metal

Bottom Diffuser: Closed Metal

Light Source: LED

Electrical Qty: 1

Wattage (Watts): 4

Voltage (Volts): 120

Source Lumens: 400

Dimming: Forward/Reverse Phase

CCT: 3000K

Driver Quantity & Location: N/A

CRI: 93+

Power Factor: >0.9

ArtisanCrafted
The Art of Inspired Living and Custom Design

INFO@ARTISANCRAFTED.com

T: 360.321.2131 | F: 360.321.2585 | PO BOX 1030 | LANGLEY, WA 98260