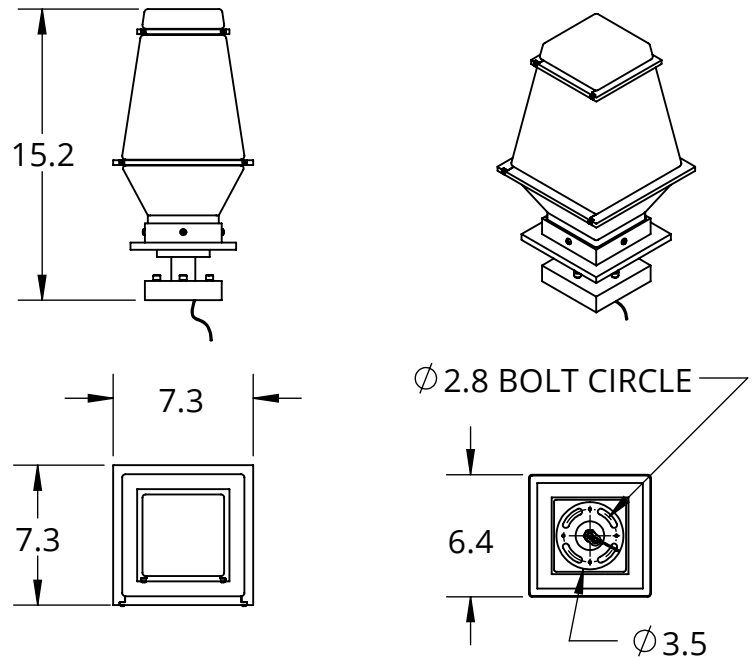
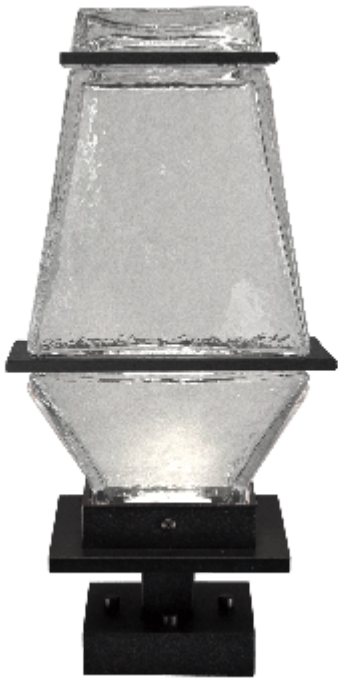


All dimensions are shown in inches unless otherwise stated.



Mounting Method: Mounts Directly to Pier

PRODUCT DESCRIPTION

A versatile vintage look that suits a wide range of transitional architectures, the Landmark Pier Mount features a large artisan blown glass shade with a clear chilled texture. It is offered with both incandescent and AC LED lamping.

Choose from three AAMA 2604-rated finishes that provide long-lasting UV and corrosion resistance in coastal and other harsh climates. All Landmark lighting includes a lifetime warranty to the original purchaser.

PRODUCT SPECIFICATION

Construction: Aluminum Body With Blown Glass

Finish Options: **AG** **SB** **TB**

Glass Types: **HC**

Suspension Method: Pier Mount

Weight(lbs.): 5

UL Rating: Wet

Top Diffuser: Closed Glass

Bottom Diffuser: Closed

Light Source: LED

Electrical Qty: 1

Wattage (Watts): 4.5

Voltage (Volts): 120

Source Lumens: 400

Dimming: ELV to 1%

CCT: 3000K

Driver Quantity & Location: 1, in Pier

CRI: 93+

Power Factor: >0.9

ArtisanCrafted
The Art of Inspired Living and Custom Design

INFO@ARTISANCRAFTED.com

T: 360.321.2131 | F: 360.321.2585 | PO BOX 1030 | LANGLEY, WA 98260